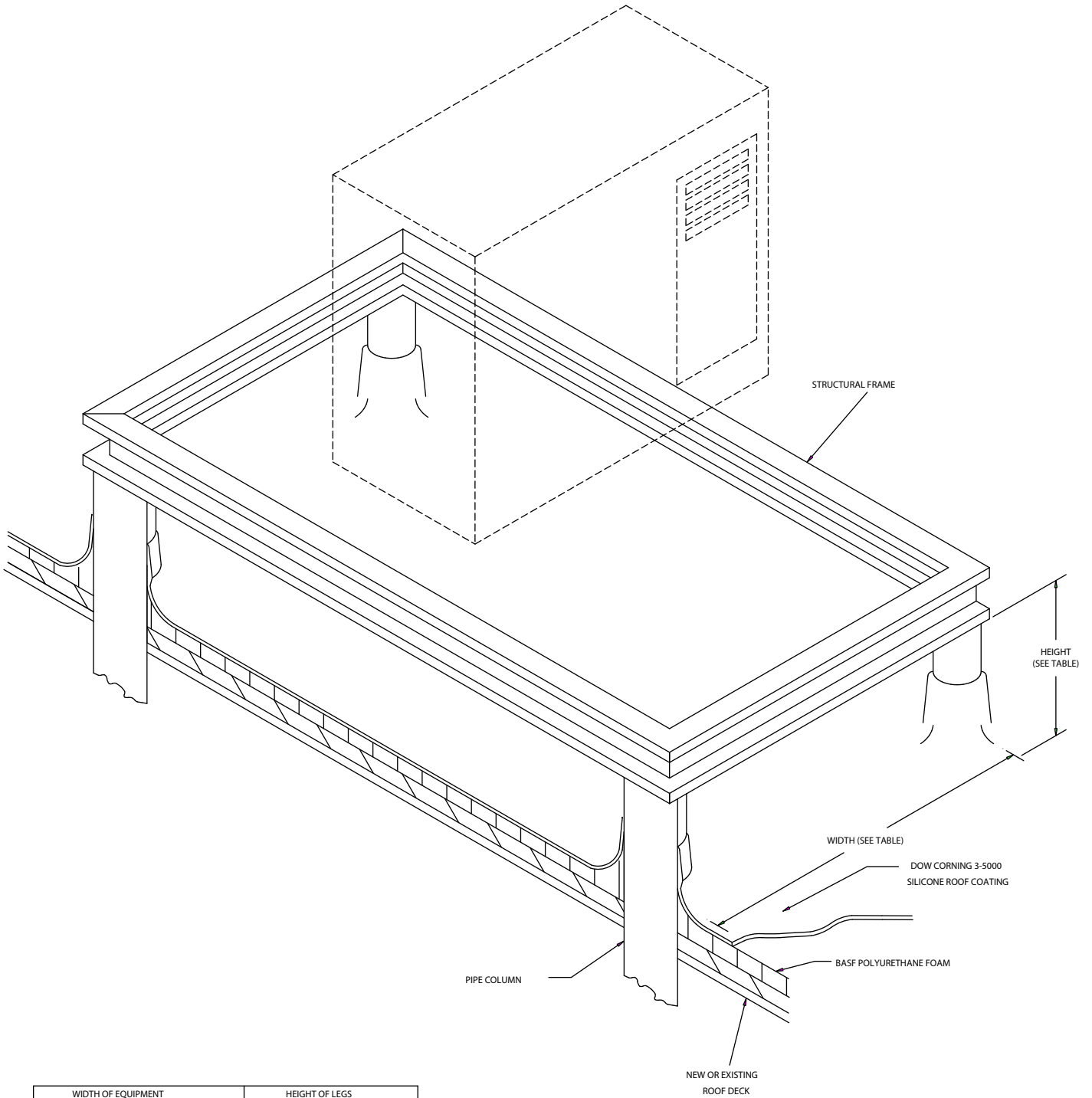


MECHANICAL EQUIPMENT STAND



WIDTH OF EQUIPMENT	HEIGHT OF LEGS
UP TO 24"	14"
25" TO 36"	18"
37" TO 48"	24"
49" TO 60"	30"
61" AND WIDER	48"